



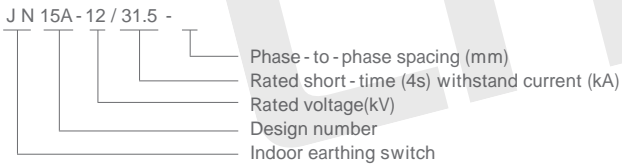
12KV EARTHING SWITCH SERIES

Model No.: LYE101

Name: JN15A-12/31.5 Indoor AC high voltage earthing switch



Model and meaning



Summary

JN15A - 12/31.5 indoor AC high voltage earthing switch is an advanced level product with high - tech parameters performance. After comprehensive evaluation, it conforms to GB1985 and IEC62271 standard, applies to power system of 3 - 12kV and three - phase AC 50Hz. It owns short - circuit making capacity to protect other electric equipment not being damaged. Can be used with various high voltage switchgear, also play a protective role in the high - voltage electrical equipment overhaul.

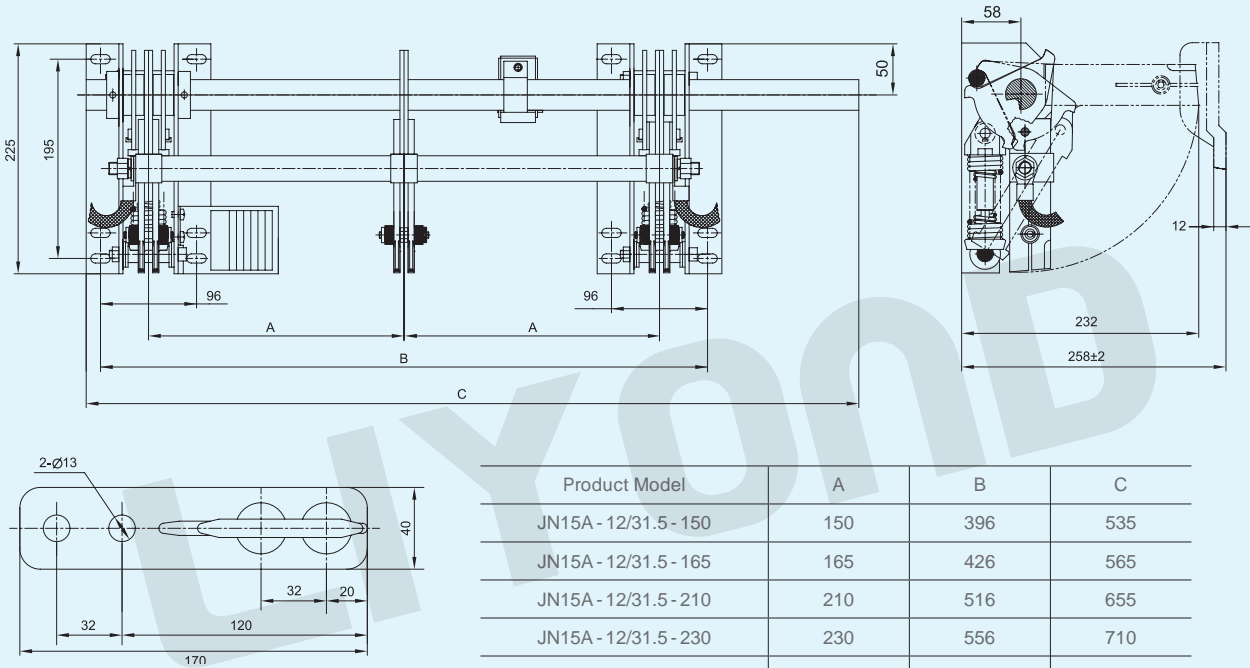


12KV EARTHING SWITCH SERIES

Ambient condition

1. Altitude: 1000m
2. Ambient temperature: -10 ~ +40
3. Earthquake intensity: 8 degree
4. Pollution level: II
5. Relative humidity: Daily average 95%,
Monthly average 90%

Item		Unit	Data	
Rated voltage		kV	12	
Rated short-time withstand current		kA	31.5	
Rated short-circuit duration		s	4	
Rated short-circuit making current		kA	80	
Rated peak withstand current		kA	80	
Rated insulation level	PF withstand voltage (1 min)	kV	Phase to earth	42
	Lightning impulse withstand voltage		Phase to phase	75
Mechanical endurance		Time	2000	



Product Model	A	B	C
JN15A - 12/31.5 - 150	150	396	535
JN15A - 12/31.5 - 165	165	426	565
JN15A - 12/31.5 - 210	210	516	655
JN15A - 12/31.5 - 230	230	556	710
JN15A - 12/31.5 - 275	275	646	810